



**Particularly useful
in confined spaces**

TP 100 MOBILE

EFFICIENT GREEN CLEANER

TP 100 MOBILE is ideal for thinning out bushes and chipping branches and trees up to 100 mm in diameter in gardens, municipalities, cemeteries, housing societies, etc.

Owing to the vertical in-feed funnel, the TP 100 MOBILE is a compact machine that does not take up much space. Width is only 74 cm.

The construction also results in a strong in-feed without the use of feed rollers.

FEATURES

- Robust drum woodchipper
- Funnel 55° from level
- Two reversible blades and one reversible countersteel
- E-Start
- Petrol engine, tank capacity 20 l



100 mm



20 HP



8-20 mm



314 kg



Foot brake stabilization



2 reversible knives. 1 reversible counter knife in wear-resistant steel



Width: 74 cm. Weight: 314 kg



2-cylinder air-cooled HONDA petrol engine with electronic ignition

COMPARE MODELS



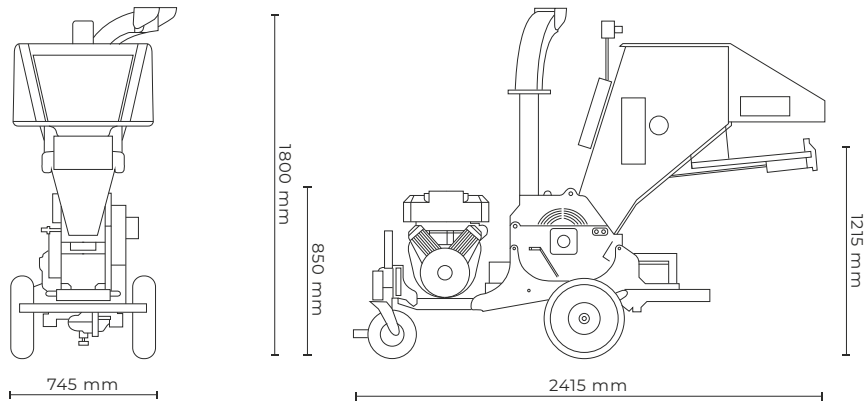
	TP 100 MOBILE	TP 165 MOBILE	TP 175 MOBILE V
Max. wood diameter	100 mm	175 mm	175 mm
Roller opening	150 x 275 mm	175 x 191 mm	175 x 191 mm
Engine make	HONDA	Kohler Pro HONDA	Kohler LDW 1404 Kubota D1305-E4B
Engine power HP/kW	20 HP / 14 kW	24 HP / 17 kW	24 HP / 18,5 kW
Number of cylinders	2	2	4 / 3
Torque	40 Nm	52 Nm	80 Nm
Control unit	E-Start	TP PILOT+	TP STARTER / TP PILOT+
Fuel	Petrol	Petrol	Diesel
Tank size	20 litres	25 litres	20 litres
Fuel consumption	3 l/h	5 l/h	3 l/h
Capacity/hour	3 m ³	4 m ³	10 m ³
Woodchip size	8-20 mm	12 mm	4-12 mm
Adjustable woodchip size	No	Yes	Yes
Woodchip standard	-	G30/G50*	G30/G50*
Feed rollers	1	2	2
Roller position	Horizontal	Horizontal	Horizontal
Chipper type	Drum chipper	Disc chipper	Disc chipper
In-feed angle	Parallel to direction of travel	Parallel to direction of travel	Parallel to direction of travel
Chipping angle	55°	90°	90°
TP E-STOP™	Yes	Yes	Yes
TP EASY CONTROL™	No	No	Yes
TP OPTICUT	No	Yes	Yes
Number of knives/counterknives	2/1	2/2	2/2
Disc diameter/weight	410 mm / 48 kg	599 mm / 69 kg	599 mm / 69 kg
Noise level, in acc. with directive 2000/14/EC	124 dB	124 dB	124 dB
Funnel height (above ground)	1551 mm	654 mm	654 mm
Funnel width (inside)	690 mm	920 mm	920 mm
TP VARIO SPOUT	No	Optional	Optional
Weight	300-314 kg	680 kg	749 kg
Width (operation, max.)	36 mm	1416 mm	1416 mm
Height (operation, max.)	1734 mm	1750 mm (2440 mm)	1750 mm (2440 mm)
Length (operation)	2335 mm	3515 mm (4013 mm)	3515 mm (4013 mm)

*Requires a fitted TP CHIP KIT (optional).

To learn more about TP CHIP KIT and G standards, go to www.tpchipper.com

TECHNICAL DRAWINGS

TP 100 MOBILE



TP 165 MOBILE

