



**CORMIDI**

**CBS**

This catalogue is valid until revocation by CORMIDI Srl

**2023**

# MAXIMUM EFFICIENCY



Endless hours of testing and tuning made the C85 the best in its class for performance and reliability. We created a durable machine with maintenance costs close to none.

# UNDERCARRIAGE



Our undercarriage is like no other. Cormidi's R&D department put all its experience towards creating the best undercarriage available on the market

# SIMPLY INCREDIBLE



The Cormidi design lab created a machine that mixes industrial design with strength, power and easy of use

**CORMIDI**

**C85**  
MINI TRACK DUMPER



# STRENGTHS



The C85 puts incredible power in a compact and sturdy machine



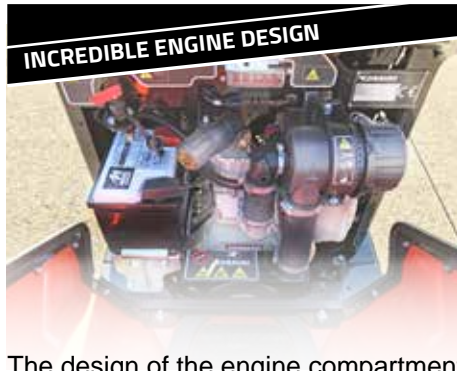
The operators has a perfect access to all the controls and can keep all the parameters under control



Vibration dampened footplate allows comfortable travel with less fatigue



The window on the left side of the unit allow an immediate check of the fuel level



The design of the engine compartment allows easy access to all the component



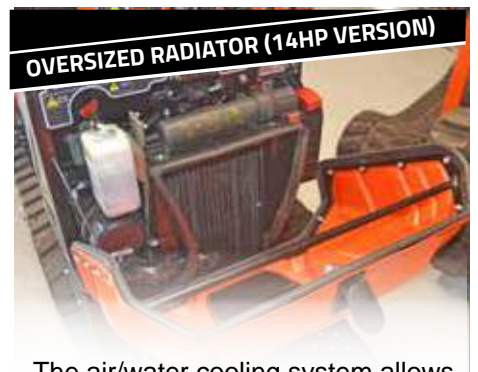
Greasing the undercarriage is easy and fast: nothing has to be taken apart.



The machine has a key protected fuel cap



Galvanized sheet, protects the moving parts from materials that could damage them



The air/water cooling system allows the machine to operate in extreme conditions

# STRENGTHS

## REMOTE CONTROL



The machine can be radio controlled for dangerous jobs.

## COOLING



Cooling system really efficiently help work in every condition.

## THROTTLE



Maintenance free throttle.

## AUSILIARY HYDRAULIC OUTPUT



Connecting accessory that need more hydraulics has never been so easy.

## CONTROL PANEL



A buzzer will alert the operator in case of necessity and display always allows easy reading of the working hours. Also a horn is standard on all models

## BRAKE



Mechanical parking and emergency brake.

## HOOKS



Large and sturdy hooks to move the machine in total safety.

## ROCKING ROLLS



The machine's undercarriage oscillated to follow the terrain profile for increased stability and comfort.

## CLOSING STAND



When the situation needs a shorter unit, the stand can be closed, otherwise it opens to let the operator in.

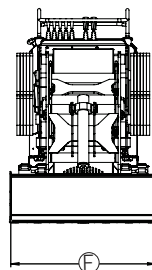
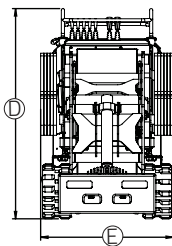
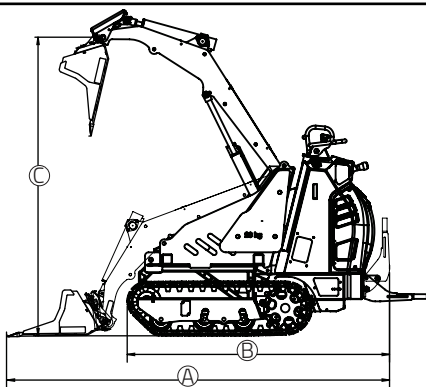
# CORMIDI

# CBS

MINI TRACK DUMPER



# MINI LOADER (ML)



	mm	inch.
A	2600	A 102.4
B	1654	B 65.1
C	1884	C 74.2
D	1326	D 52.2
E	837	E 33.0
F	860	E 33.9

		C13.85	C14.85
<b>TOTAL WEIGHT</b>		788 kg 1737 Lb	832 kg 1834 Lb
<b>TIPPING CAPACITY</b>		<b>GROUND PRESSURE</b>	
Without COUNTERWEIGHT	552 kg 1217 Lb	Without COUNTERWEIGHT	0,298 Kg/cm <sup>2</sup> 4.24 psi
With COUNTERWEIGHT 120 KG / 264 LBS	643 kg 1417.58	With COUNTERWEIGHT 120 KG / 264 LBS	0,341 Kg/cm <sup>2</sup> 4.85 psi

**CORMIDI**

**CBS**  
MINI TRACK DUMPER

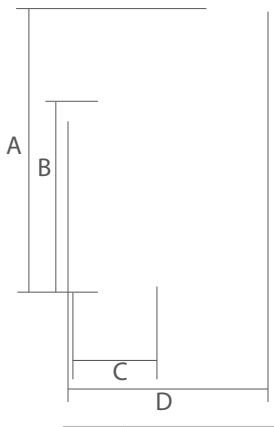


DRIVE THE CHANGE

			C85KH	C85Y	C85K
<b>ENGINE</b>					
Air-cooled single cylinder	Kohler CH 440	Petrol 14 hp	✓	—	—
Air-cooled single cylinder	Yanmar LN 100 AE	Diesel 8,7 hp	—	✓	—
Liquid-cooled twin cylinder	Kubota Z 482	Diesel 13,1 hp	—	—	✓
<b>TRANSMISSION</b>					
Type	Hydrostatic		✓	✓	✓
Hydraulic pump	Two full closed hydrostatic transmission		✓	✓	✓
<b>TRACKS</b>					
Crawler width	180 mm (7.1 in)		✓	✓	✓
Rocking rollers	Yes		✓	✓	✓
<b>HYDRAULIC SYSTEM</b>					
Hydraulic pump	Gear pump		✓	✓	✓
Flow Std	1x14,1 l/min (1x3.7 gpm)		✓	—	✓
	1x12,6 l/min (1x3.3 gpm)		—	✓	—
Hi-Flow	1x22,4 l/min (1x5.9 gpm)		✓	—	✓
	1x19,9 l/min (1x5,3 gpm)		—	✓	—
Max pressure	150 bar (2180 psi)		✓	✓	✓
<b>PERFORMANCE AND DIMENSIONS</b>					
Max. travel speed	6 Kmh (3.7 mph)		✓	—	✓
	5 Kmh (3.1 mph)		—	✓	—
Operative capacity	800 kg (1762 LB)		✓	✓	✓
Vessel contents	da 0.28 m <sup>3</sup> a 0.53 m <sup>3</sup> (from 0.37 to 0.69 yd <sup>3</sup> )		✓	✓	✓
Parking brake	Yes		✓	✓	✓





**CORMIDI**  
attachments


**Technical data**


	mm	in
A	790	31.1
B	540	21.3
C	300	11.8
D	690	27.2

**Drill**
**C7230.48.00**

Code:	Dimensions:
C5080.07.02	Punta Ø 200 mm
C5080.08.02	Punta Ø 250 mm
C5080.09.03	Punta Ø 300 mm
C5080.09.06	Punta Ø 350 mm

Model	Cod.	For	Hex	 l/min	 bar	Weight
Auger	C7230.48.00	ML85	50 mm	Max 35	175	120 Kg
		*C85 ACW-HCW	50 mm	Max 35	175	120 Kg

		C85 ACW-HCW	ML85
C85 KH	Kohler Petrol Engine		
C85 Y	Yanmar Diesel engine		
C85 K	Kubota engine		



**Required configuration**

**ML 85**

+

Auger

+

Drill


**C85 ACW-HCW**

+

Universal Plate

+

Auger

+

Drill

**C4230.19.01**


Requires C4230.19.01





**CORMIDI**

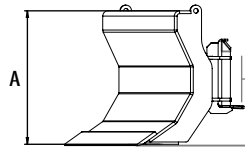
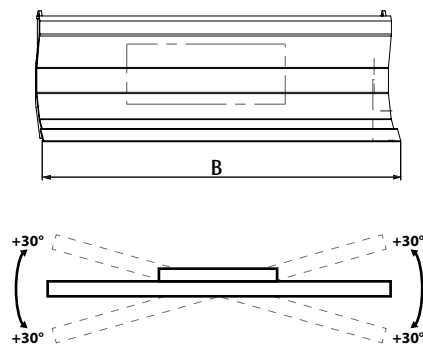
**Levelling Blade**



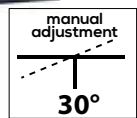
CORMIDI



**Technical Data**



	mm	in
A	473	18.6
B	1000	39.4



Model	Cod.	For	Width	Weight
Levelling Blade	C4080.23.20	ML85	1000 mm	96
		*C85 ACW-HCW	1000 mm	96

	C85 ACW-HCW	ML85
C85 KH Kohler-petrol engine		
C85 Y Yanmar Diesel engine		
C85 K Kubota engine		

Required configuration	Very compatible	Compatible	Incompatible
------------------------	-----------------	------------	--------------



ML 85

+



Levelling blade



C85 ACW-HCW

+



Universal plate

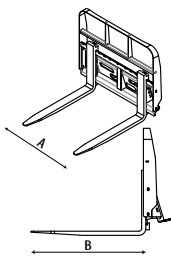
+



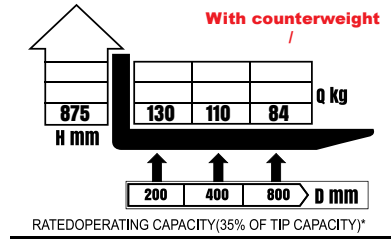
Levelling blade

C4230.19.01

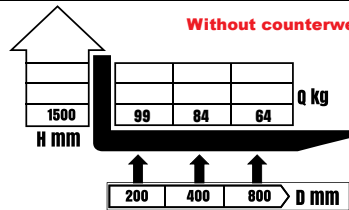
Requires C4230.19.01


**Technical data**
**C85 ML**
**With counterweight**


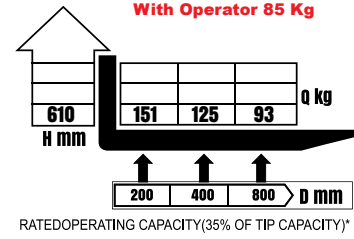
	mm	in
A	890	35.0
B	800	31.5



RATED OPERATING CAPACITY (35% OF TIP CAPACITY)\*

**Without counterweight**


RATED OPERATING CAPACITY (35% OF TIP CAPACITY)\*

**C85 ACW**
**With Operator 85 Kg**


RATED OPERATING CAPACITY (35% OF TIP CAPACITY)\*



Model	Cod.	For	Weight
Forks	C4280.24.20	ML85	78 Kg
	C4280.24.10	C85 ACW-HCW	78 Kg

	C85 ACW-HCW	ML85
C 85 KH Kohler-petrol engine		
C85 Y Yanmar Diesel engine		
C85 K Kubota engine		
	Very compatible	Incompatible

**Required configuration**

**ML 85**

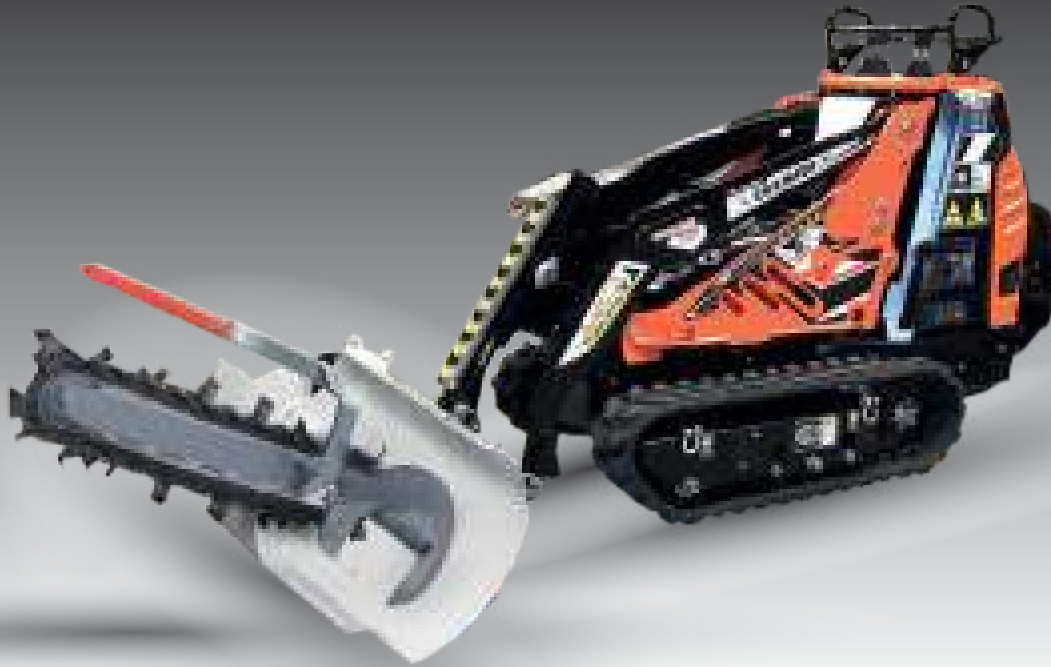
+


**Forks**

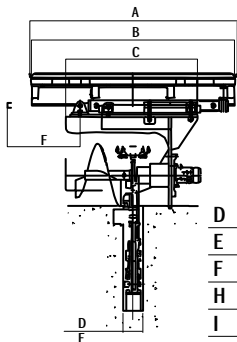
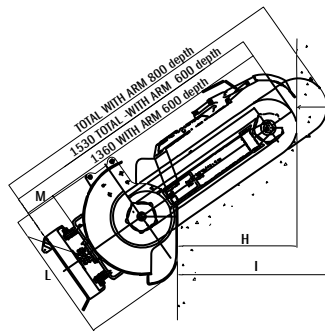
**C85 ACW-HCW**

+


**Forks**



### Technical data



	mm	in
D	110	4.3
E	190	7.5
F	600	23.6
H	600	23.6
I	800	31.5
L	73	2.9



Model	Cod.	For	Working depth	Weight
Chain Slicer	C7280.52.10	ML85	1400 mm	130 Kg

C85 ACW-HCW ML85

C85 KH	Kohler-petrol engine		
C85 Y	Yanmar Diesel engine		
C85 K	Kubota engine		

Very compatible	Compatible	Incompatible
-----------------	------------	--------------

### Required configuration



ML85

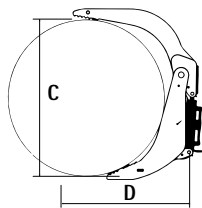
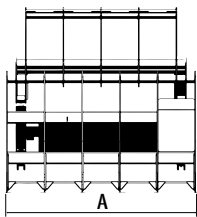
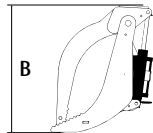
+



Chain Slicer



### Technical data



	mm	in
A	935	36.8
B	650	25.6
C	833	32.8
D	616	24.3

Model	Cod.	For	Working pressure	Weight
Grapple Rake	<b>C7280.61.00</b>	<b>ML85</b>	<b>170 bar</b>	<b>108 Kg</b>

**ML85**

C85 KH	Kohler-petrol engine	
C85 Y	Yanmar Diesel engine	
C85 K	Kubota engine	

Very compatible

Compatible

Incompatible

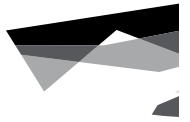
### Required configuration



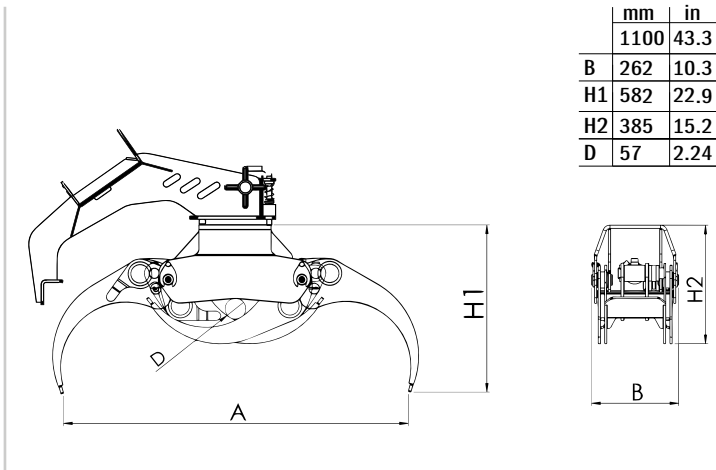
**ML 85**

+

Grapple Rake



### Technical data



Manual rotation with mechanical lock

Model	Cod.	For	daN	∅ min - mm	Weight
Log Grapple	C4280.35.25	ML85	775	57	91 Kg

### ML85

C85 KH	Kohler-petrol engine	
C85 Y	Yanmar Diesel engine	
C85 K	Kubota engine	

Very compatible

Compatible

Incompatible

### Required configuration

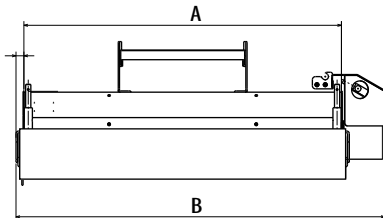


ML 85

+



Log Grapple


**Technical data**


	mm	in
A	840	0
B	930	0



Model	Cod.	For	Spade	Width	Weight	Weight
Stone Burier	C4280.33.10	ML85	n°16	840 mm	930 mm	135 Kg

**ML85**

C85 KH	Kohler-petrol engine					
C85 Y	Yanmar Diesel engine					
C85 K	Kubota engine					

Very compatible
Compatible
Incompatible
**Required configuration**

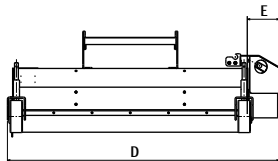
**ML 85**

+


**Stone Burier**



### Technical data



	mm	in
A	760	29.9
B	890	35.0

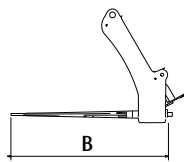
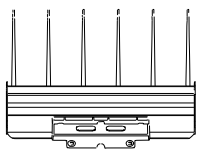
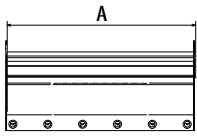


Model	Cod.	For	:				Weight
Brush Cutter	C4280.20.20	ML85					130 Kg
	C4280.20.10	C85 ACW-HCW					130 Kg

		C85 ACW-HCW	ML85
C85 KH	Kohler-petrol engine		
C85 Y	Yanmar Diesel engine		
C85 K	Kubota engine		
		Very compatible	Compatible
			Incompatible

### Required configuration




**Technical data**


	mm	in
A	1200	47.2
B	850	33.5



Model	Cod.	For	Weight
Fork Bucket	C7280.63.00	ML85	93 Kg

**C85 ACW-HCW ML85**

C85 KH	Kohler-petrol engine	
C85 Y	Yanmar Diesel engine	
C85 K	Kubota engine	

Very compatible
Compatible
Incompatible
**Required configuration**

**ML85**

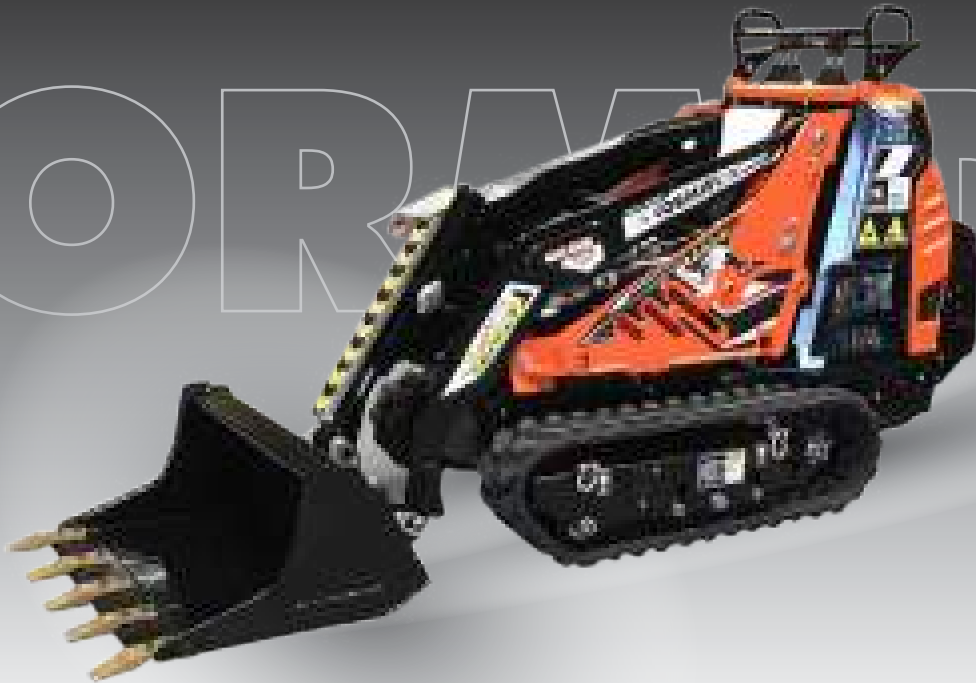
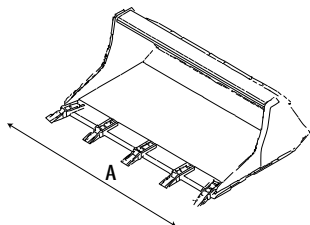
+


**Fork Bucket**





CORMIDI


**Technical data**


	mm	in
A	870	34



Model	Cod.	For	Weight
Standard Bucket with Teeth	C5030.19.00	ML85	70 Kg

**ML85**

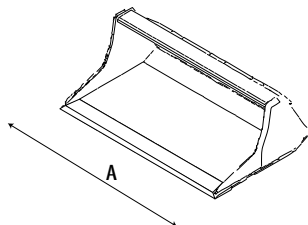
C85 KH	Kohler-petrol engine	
C85 Y	Yanmar Diesel engine	
C85 K	Kubota engine	

Very compatible
Compatible
Incompatible
**Required configuration**


+



Standard Bucket with Teeth


**Technical data**


	mm	in
A	810	34



Model	Cod.	For	Weight
<b>4-in-1 Bucket</b>	<b>C5030.20.00</b>	<b>ML85</b>	<b>90 kg</b>

**ML85**

<b>C85 KH</b>	Kohler-petrol engine	
<b>C85 Y</b>	Yanmar Diesel engine	
<b>C85 K</b>	Kubota engine	

Very compatible
Compatible
Incompatible
**Required configuration**

**ML 85**
**+**

**4-in-1 Bucket**

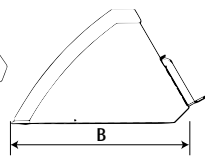
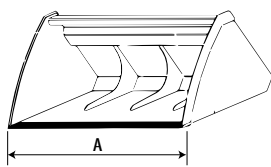


**CORMIDI**

# Large Volume Bucket for Light Materials



### Technical data



	mm	in
A	1220	48.0
B	760	29.9



Model	Cod.	For	SAE dome	Flush	Weight
Large Volume Bucket for Light Materials	C7280.59.00	ML85	0,312 m <sup>3</sup>	0,242 m <sup>3</sup>	98 Kg

ML85

C85 KH	Kohler-petrol engine				
C85 Y	Yanmar Diesel engine				
C85 K	Kubota engine				

Very compatible

Compatible

Incompatible

### Required configuration



ML 85

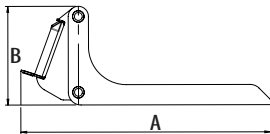
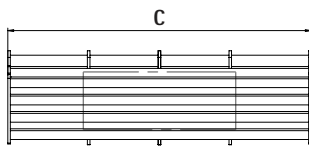
+



Large Volume Bucket for Light Materials



CORMIDI


**Technical data**


	mm	in
A	1047	41.2
B	390	15.4
C	1200	47.2



Model	Cod.	For	Weight	Weight
Leveler	C7280.62.00	ML85	1000 mm	100 Kg

**ML85**

C85 KH	Kohler-petrol engine	
C85 Y	Yanmar Diesel engine	
C85 K	Kubota engine	

Very compatible
Compatible
Incompatible
**Required configuration**

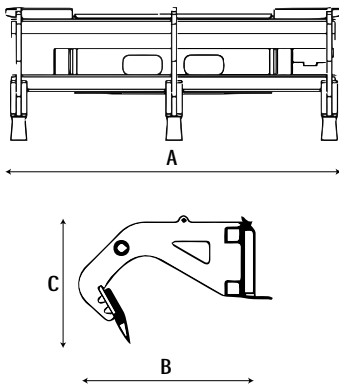
**ML85**

+


**Leveler**



### Technical data



	mm	in
A	1000	39.4
B	520	20.5
C	360	14.2



Model	Cod.	For	Weight	Weight
Ripper	C7280.60.00	ML85	1000 mm	61 Kg

ML85

C85 KH	Kohler-petrol engine	
C85 Y	Yanmar Diesel engine	
C85 K	Kubota engine	

Very compatible

Compatible

Incompatible

### Required configuration



ML85

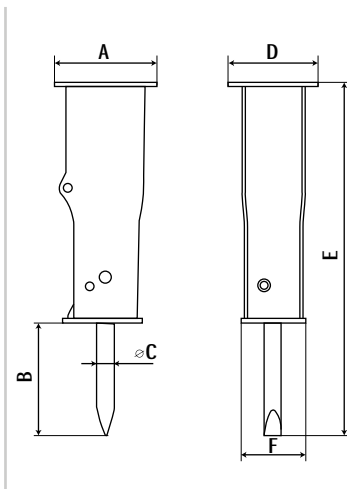
+



Ripper



### Technical data



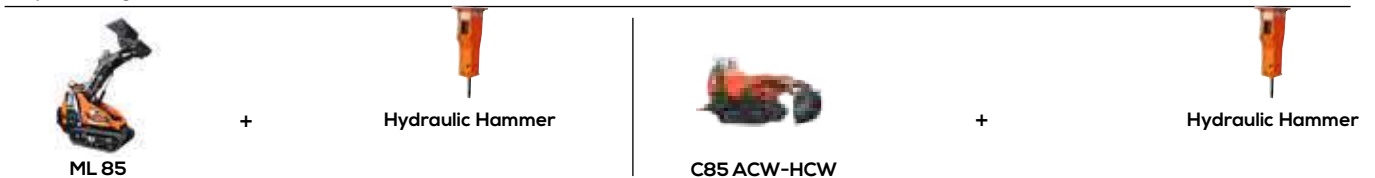
	mm	in
A	250	9.8
B	235	9.3
C	40	1.6
D	220	8.7
E	830	32.7



Model	Cod.	For	Weight
Hydraulic Hammer	C5080.01.20	ML85	90 Kg
	C5080.01.10	C85 ACW-HCW	90 Kg

	C85 ACW-HCW	ML85
C85 KH Kohler-petrol engine		
C85 Y Yanmar Diesel engine		
C85 K Kubota engine		
	Very compatible	Incompatible

### Required configuration



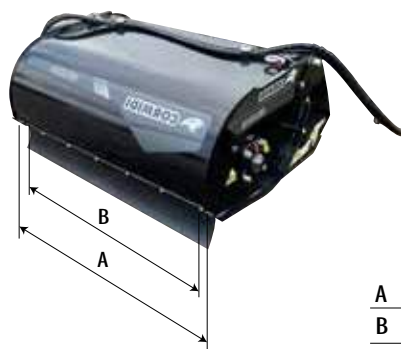


**CORMIDI**

**Sweeper with Collection Box**



**Technical data**



	mm	in
A	1180	46.5
B	850	33.5



Model	Cod.	For	Working width	Weight
Sweeper with Collection Box	C5080.12.20	ML85	850 mm	105 Kg
	C5080.12.10	C85 ACW-HCW	850 mm	105 Kg

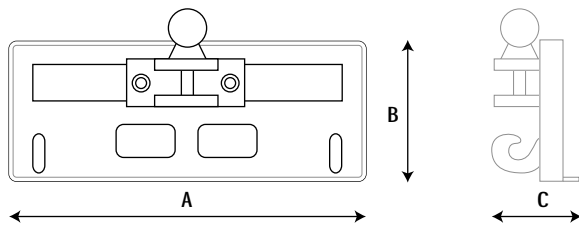
		C85 ACW-HCW	ML85
C85 KH	Kohler-petrol engine		
C85 Y	Yanmar Diesel engine		
C85 K	Kubota engine		
		Very compatible	Compatible
		Incompatible	

**Required configuration**

 <b>ML 85</b>	+	 <b>Sweeper with Collection Box</b>		 <b>C85 ACW-HCW</b>	+	 <b>Sweeper with Collection Box</b>
------------------	---	--	--	------------------------	---	--



### Technical data



	mm	in
A	615	24,2
B	250	9.84
C	200	7.87



Model	Cod.	For	Weight
Towing and Lifting Plate	C7030.24.00	ML85	18 Kg

**ML85**

C85 KH	Kohler-petrol engine	
C85 Y	Yanmar Diesel engine	
C85 K	Kubota engine	

Very compatible

Compatible

Incompatible

### Required configuration



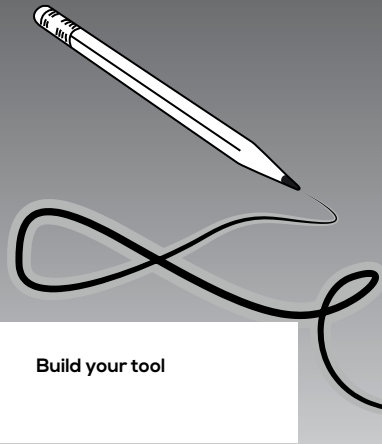
ML 85

+

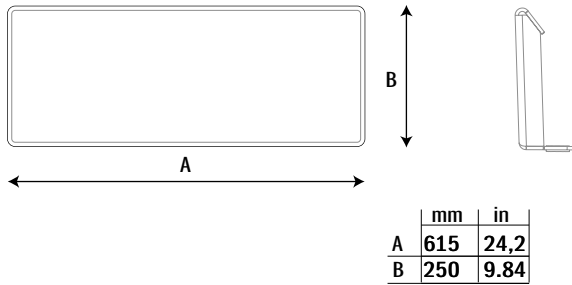


Towing and Lifting Plate





### Technical data



Model	Cod.	For	Weight
Universal Female Plate	C7030.08.01	ML85	9,9 Kg

### ML85

C85 KH	Kohler-petrol engine	
C85 Y	Yanmar Diesel engine	
C85 K	Kubota engine	

Very compatible
Compatible
Incompatible

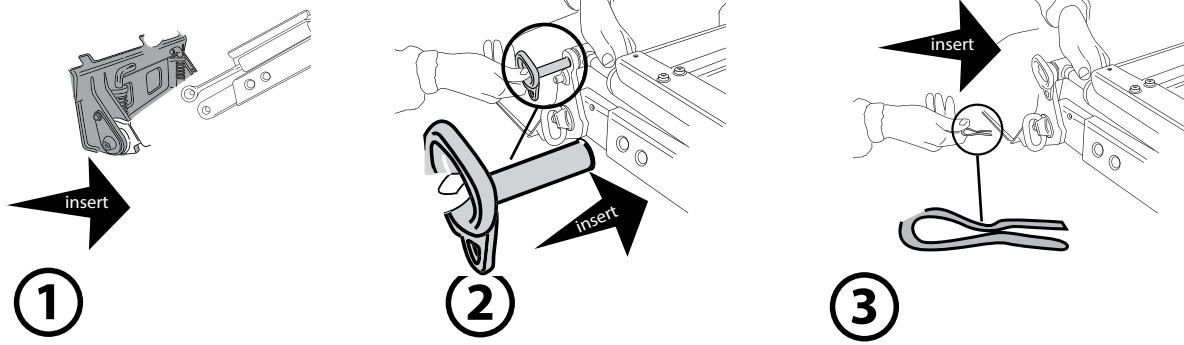
### Required configuration



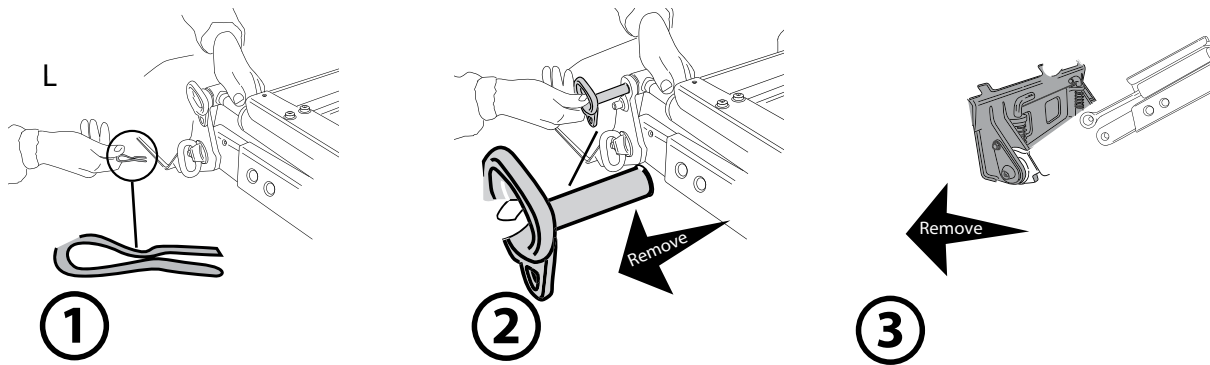
+



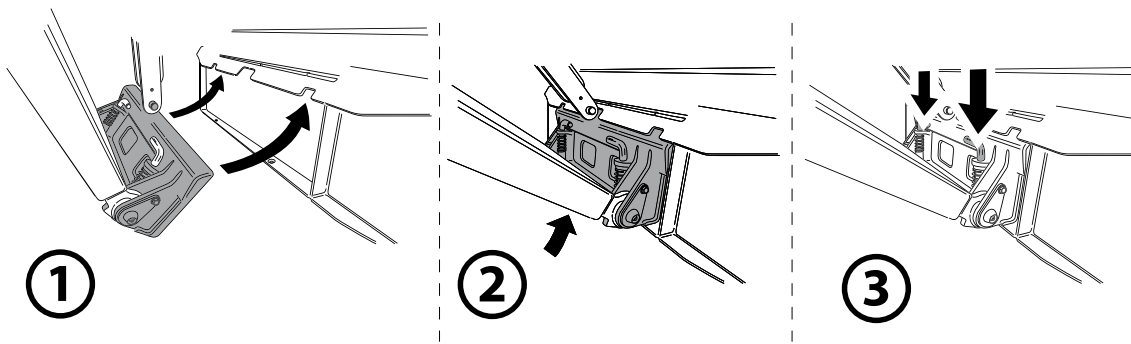
### Quick Attack



### How to remove the accessories



### Universal plate



### How to remove the accessories

