



TP 250 PTO K



Infeed

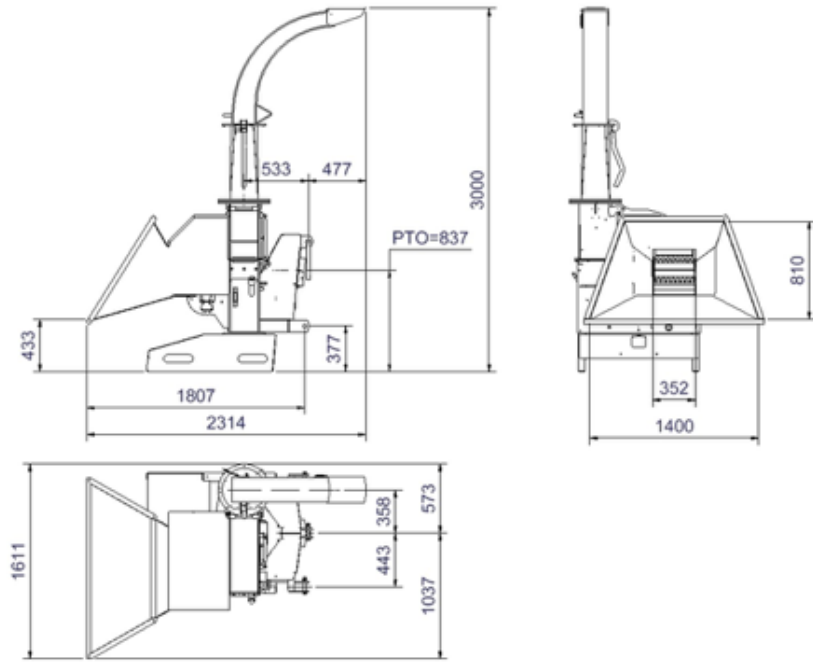
Roller opening:	260 x 350 mm
Number of rollers:	2
Roller position:	Horizontal

Chipper type

Chipper type:	Disc chipper
Chipping angle:	90°
TP OPTICUT:	No
TP TWIN DISC:	Yes
Number of knives:	3
Number of cuts per turn:	3
Woodchip size - minimum:	4 mm
Woodchip size - maximum:	13 mm
Rotorspeed:	1000 r/min
Rotordiameter:	960 mm
Rotorweight:	266 kg
Transmission:	PTO
Counter knife horizontal:	1 turntable
Counter knife vertical:	2
Replacement of wearing plate:	Yes
Wearing plate:	Yes
TP CHIP KIT:	Option

Stress Control

TP PILOT K:	Yes
--------------------	-----



125006*250003