



RELIABLE
CHIPPING

TP 270 PTO K



Infeed

Roller opening:

270 x 270 mm

Number of rollers:

2

Roller position:

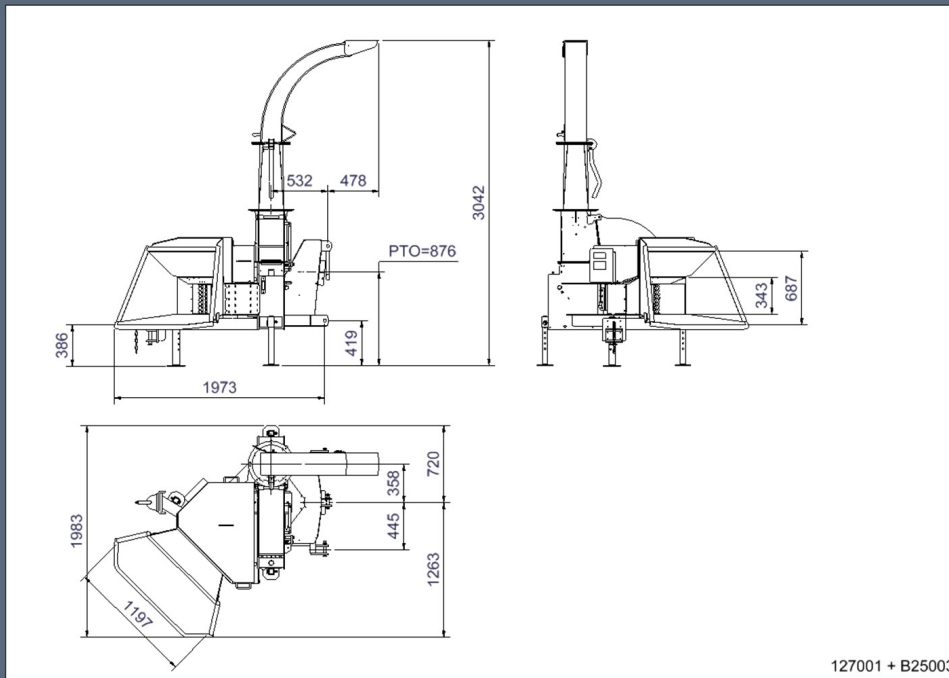
Vertical

Chipper type

Chipper type:	Disc chipper
Chipping angle:	45°
TP OPTICUT:	No
TP TWIN DISC:	No
Number of knives:	3
Number of cuts per turn:	3
Woodchip size - minimum:	11 mm
Woodchip size - maximum:	21 mm
Rotorspeed:	1000 r/min
Rotordiameter:	960 mm
Rotorweight:	280 kg
Transmission:	PTO
Counter knife horizontal:	1
Counter knife vertical:	1
Replacement of wearing plate:	Yes
Wearing plate:	Yes
TP CHIP KIT:	Standard (Sliverbreaker TYPE A)

Stress Control

TP PILOT:	Yes
------------------	-----



127001 + B25003